

QSDC-1000-6000-K1-10-N

1~6GHz, 100W, 10dB

Features:

- * Broadband
- * Low Insertion Loss

Applications:

- * Amplifiers
- * Transmitter
- * Laboratory Test
- * Radar

Electrical

Frequency:	1~6GHz
Insertion Loss:	0.7dB max.
VSWR:	1.4 max.
Directivity:	10dB min.
Coupling:	10±0.8dB
Coupling Flatness:	±0.8dB max.
Impedance:	50Ω
Average Power:	100W

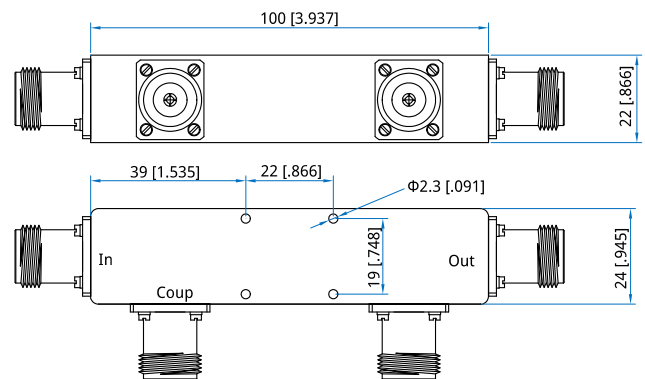
Mechanical

Size*1:	100*24*22mm 3.937*0.945*0.866in
Connectors:	N Female
Mounting:	Φ2.3mm through-hole

[1] Exclude connectors and terminations.

Environmental

Temperature:	-40~+85°C
--------------	-----------

Outline Drawings


Unit: mm [in]

Tolerance: ±0.5mm [±0.02in]

How To Order

[QSDC-1000-6000-K1-10-N](#)

Customization is available upon request.